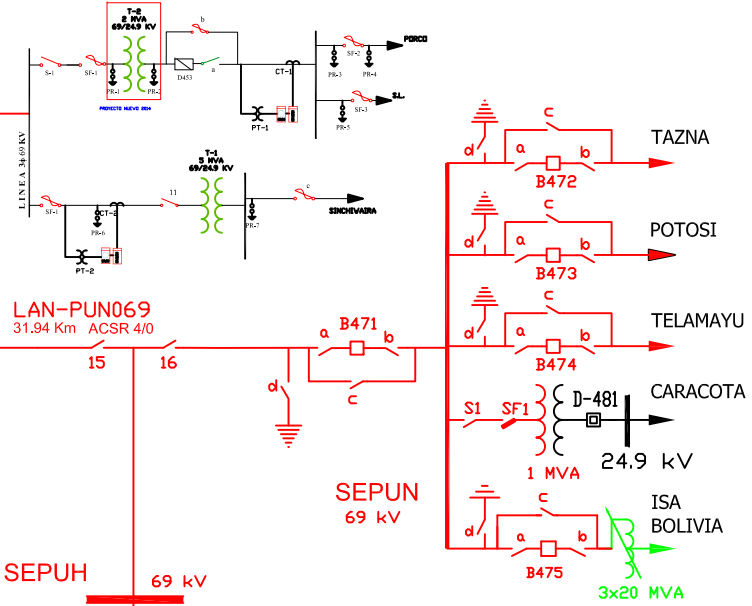




DIAGRAMA UNIFILAR PLANTAS HIDROELECTRICAS DEL RIO YURA

SETAM



LAN-TAM069

33.76 Km ACSR 4/0

LAN-PUN069

31.94 Km ACSR 4/0

SEPUH

69 kV

SEPUN

69 kV

NOMENCLATURA

B	69 KV ROJO
C	44 KV NEGRO
D	24,9 KV NEGRO
F	6,6 KV Magenta
F	3 KV Magenta
H	0,55 KV Cian

KIL-LAN044

5.72 Km ACSR 4/0

SELAN

69 kV

ATLAN069

12.5 MVA

3 kV

5MVA

3 kV

4MVA

6.6 kV

0,45MVA

3MVA

3 kV

3MVA

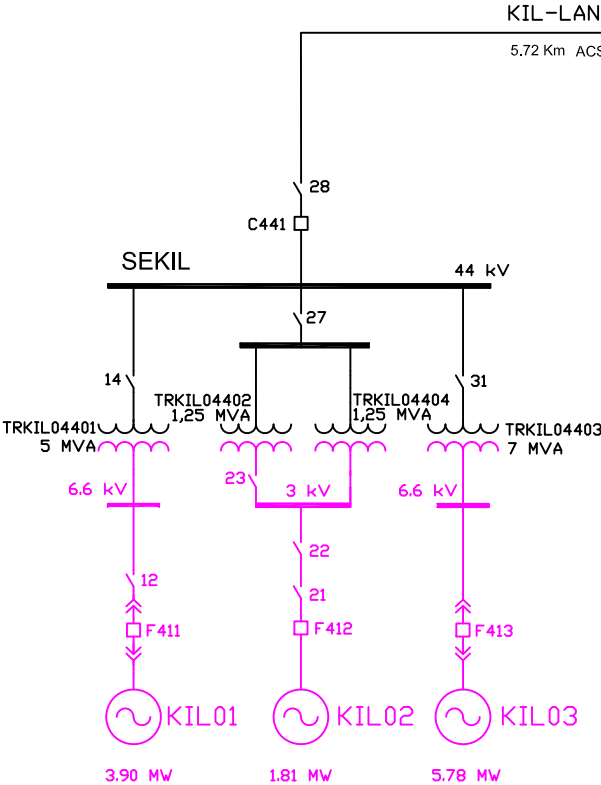
6.6 kV

3MVA

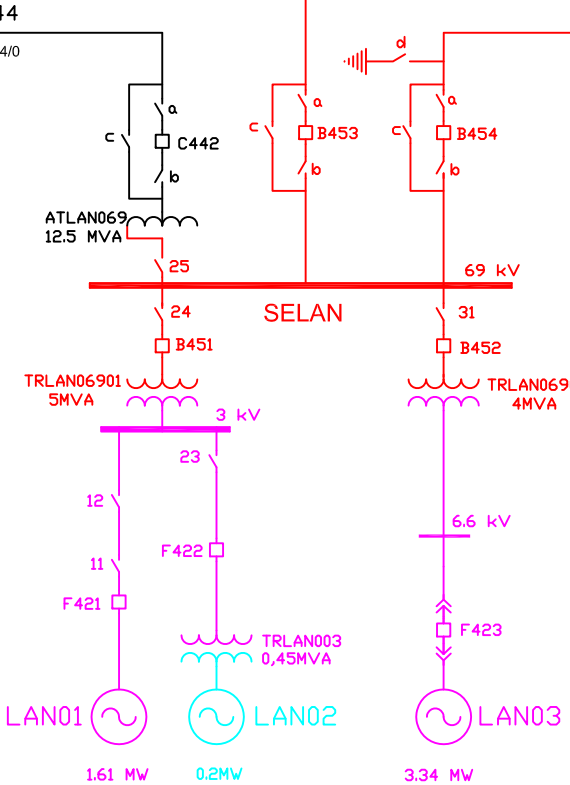
24.9 kV

1 MVA

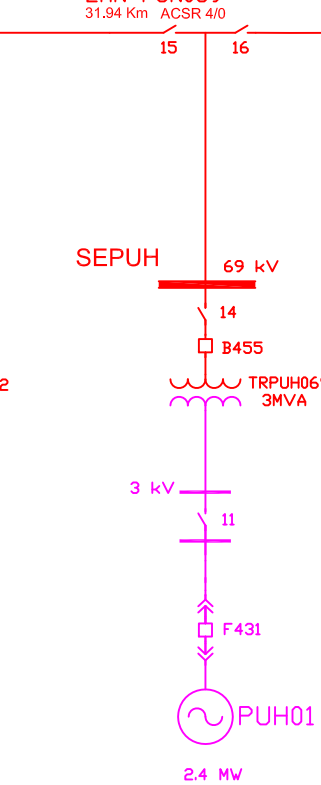
3x20 MVA



CENTRAL HIDROELECTRICA KILPANI



CENTRAL HIDROELECTRICA LANDARA



CENTRAL HIDROELECTRICA PUNUTUMA